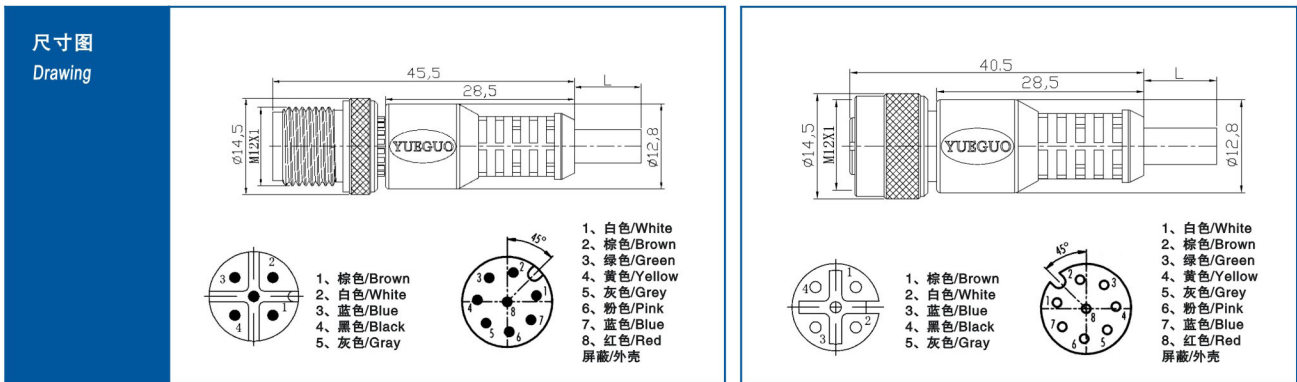


A型 M12连接器-浇注电缆系列 ( 可选PVC或PUR电缆, 电缆长度可按用户要求定做 )



订货号 Ordering-No.	针数 Contacts	订货号 Ordering-No.	针数 Contacts	订货号 Ordering-No.
	4	YG-12-I-4A-(M)-PVC	4	YG-12-I-4B-(M)-PVC
		YG-12-I-4A-(M)-PUR		YG-12-I-4B-(M)-PUR
	5	YG-12-I-5A-(M)-PVC	5	YG-12-I-5B-(M)-PVC
		YG-12-I-5A-(M)-PUR		YG-12-I-5B-(M)-PUR
	8	YG-12-I-8A-(M)-PVC	8	YG-12-I-8B-(M)-PVC
		YG-12-I-8A-(M)-PUR		YG-12-I-8B-(M)-PUR

型号代号: YG:跃国 12:M12\*1螺纹; I:直插头 (L:弯插头); 4:芯数 (4.5芯); A:插针 (B:插孔); 电缆长度 (2, 5, 10, 15); M:米; PVC:PVC电缆, PUR:PUR电缆

技术参数  
Specifications

针数	4	5	8	
锁紧方式	螺纹式/screw			Connector Locking system
连接方式	焊接, 浇注电缆/solder moulded-on cable			Termination
连接截面mm <sup>2</sup>	Max.0.34mm <sup>2</sup> (WAG 22)		Max.0.25mm <sup>2</sup> (WAG 24)	Wire gauge in mm <sup>2</sup>
电缆直径	3.5-5mm			Cable outlet(mm)
外壳防护等级	IP65/IP67			Shell protection
机械寿命	>100 Steckzyklen/>100 Steckzyklen			Mechanical operation
高温	+85℃			Upper temperature
低温	-25℃			Lowertemperature
额定电压	250V	60V	30V	Rated voltage
测量冲击电压	2500V	1500V	800V	Rated imoulse voltage
污染等级	3			Pollution degree
过电压保护等级	II			Overvoltage categorie
绝缘组别	II			Material group
额定电流 (40℃)	4A		2A	Rated current(40℃)
过渡电阻	≤3Ω			Contact resistance
触点、针	CuZn(Messing/brass)			Pin contact
触点表面	Au(Gole/gold)			Contact plating
针体	PBT/PA(UL94HB)			Male insert
电缆插头外壳	PUR/PVC			Housing canle connector