

电磁阀连接器-B型孔式插头

图例
Figure

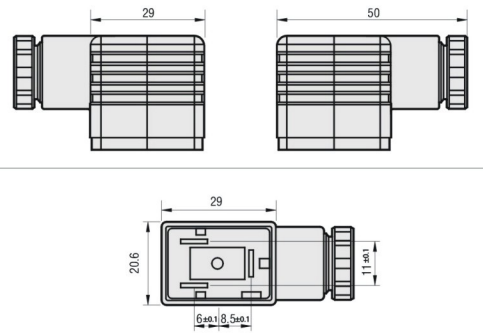
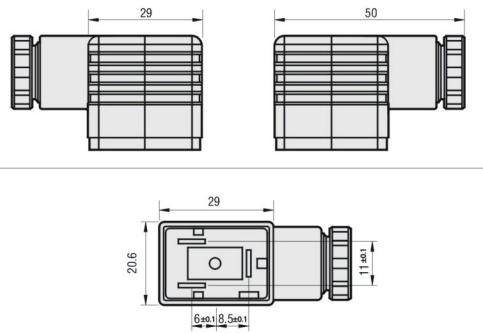
仪器仪表插头矮外表
Femde powe connector,lowhousing



仪器仪表插头矮外表带LED
Femde powe connector,lowhousing



尺寸图
Drawing



订货号
Ordering-No.

针数 Contacts	电缆直径 Cable outlet(mm)	订货号 Ordering-No.
2+PE	6-8	YG-DCB-3B-06

针数 Contacts	电缆直径 Cable outlet(mm)	订货号 Ordering-No.
2+PE	6-8	YG-DCB-3B-06/LED

技术参数
Specifcations

针数	2+PE	Number of contacts
锁紧方式	中心螺钉/central screw	Locking s/stem
连接方式	螺钉/screw	Termination
连接截面mm ²	0.34mm ² (min,AWG22) ,Max.15mm ² (max,AWG16)	Wire gauge in mm ²
电缆直径	6-8mm	Cable outlet(mm)
外壳防护等级	IP65	Shell protection
机械寿命	>50周期/>100 mating cycles	Mechanical operation
高温	+120℃	Upper temperature
低温	-30℃	Lowertemperature
额定电压	AC/DC 250V	Rated voltage
测量冲击电压	4000V	Rated imoulse voltage
污染等级	3	Pollution degree
过电压保护等级	III	Overvoltage categorie
绝缘组别	III	Material group
额定电流(40℃)	1A,2A,10A	Rated current(40℃)
过渡电阻	≤15mΩ	Contact resistance
触点、针	CuSn(Bronze/bronze)	Pin contact
触点表面	Ni(镍/nickel)	Contact plating
外壳材料	PA(UL94HB)	Housing canle connector